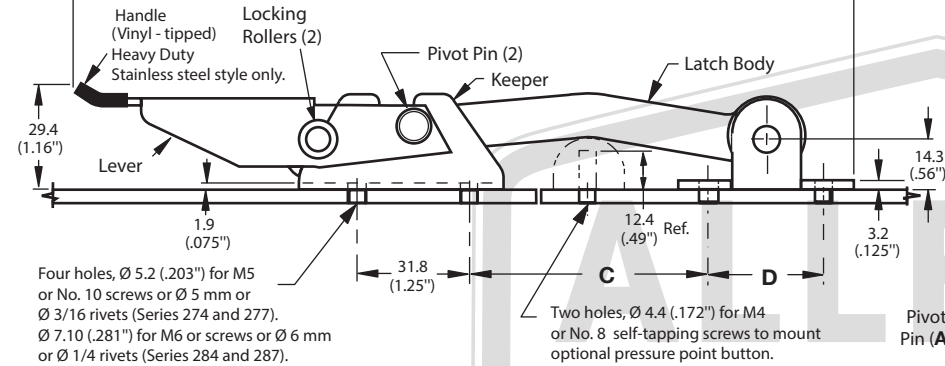
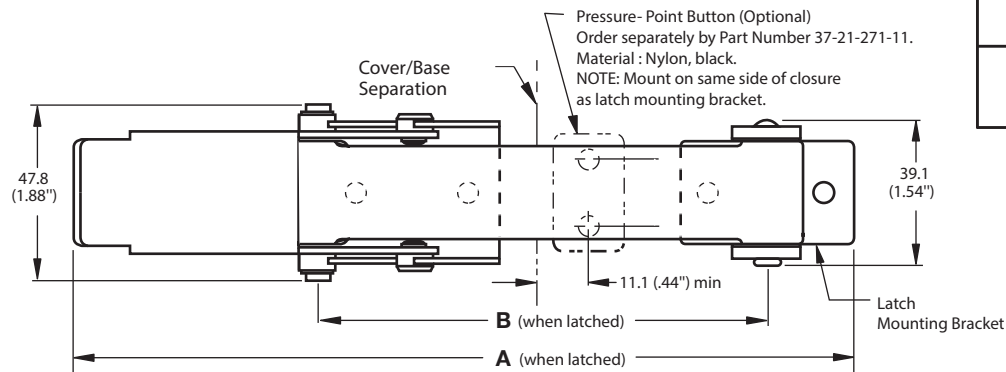


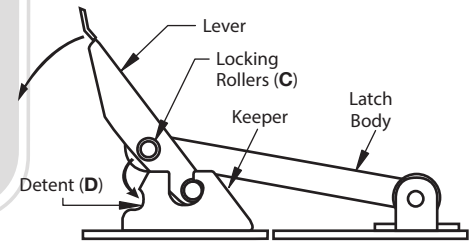
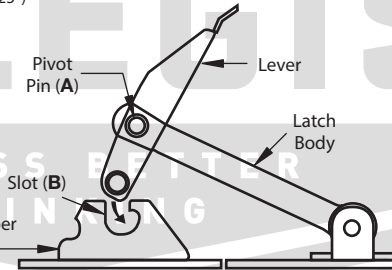
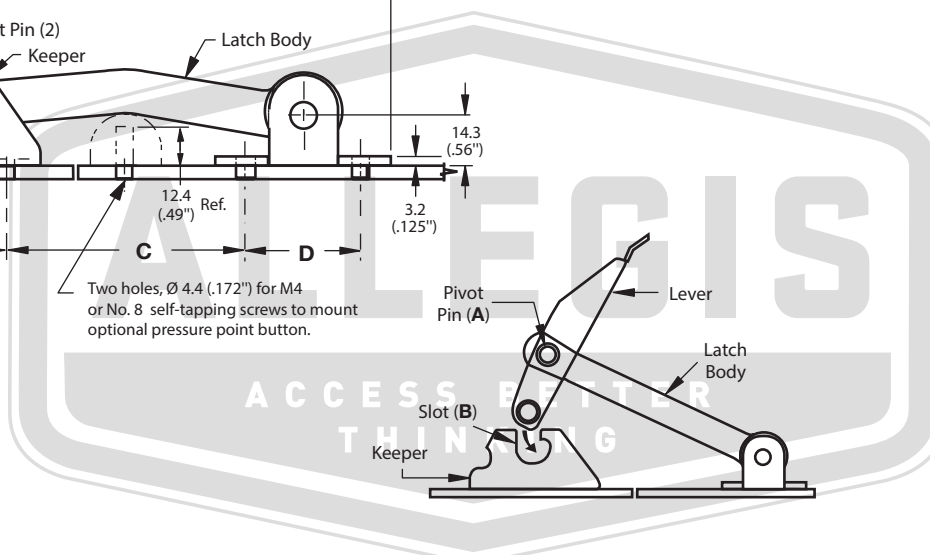
APPROVAL - CUSTOMER NAME & SIGNATURE

DATE



Four holes,  $\varnothing 5.2 (.203)$  for M5 or No. 10 screws or  $\varnothing 5$  mm or  $\varnothing 3/16$  rivets (Series 274 and 277).  $\varnothing 7.10 (.281)$  for M6 or screws or  $\varnothing 6$  mm or  $\varnothing 1/4$  rivets (Series 284 and 287).

Two holes,  $\varnothing 4.4 (.172)$  for M4 or No. 8 self-tapping screws to mount optional pressure point button.



Dimensions				Part Number		Series
A	B	C	D	Bright zinc finish	Stainless Steel	
241.3 (9.50")	152.4 (6.00")	96.8 (3.81")	25.4 (1.00")	37-10-274-10	37-10-274-20	274
366.7 (14.44")	277.8 (10.94")	222.3 (8.75")		37-10-277-10	37-10-277-20	277

**ALLEGIS**

1-866-378-7550

MATERIAL:  
Rubber, Stainless Steel

DRAWING NO. :  
37-10-274-20

FINISH:  
Natural

REV. :  
1:1

DATE:  
5/30/2019